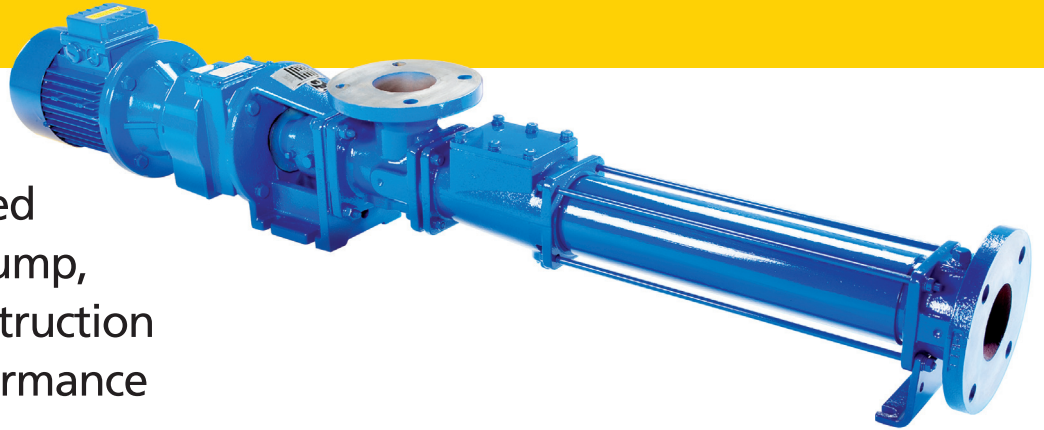


Compact C Pump



A competitively priced progressing cavity pump, with a compact construction and maximum performance characteristics.

Typical Applications

- > Domestic and industrial effluent
- > Hydrated lime slurry
- > Sludge
- > Shear sensitive latex emulsion
- > Milk curds, sauces, fruit juices
- > Industrial chemicals and detergents
- > Starch slurries
- > Coating clays, gypsum and silicate
- > Paper stocks
- > Agricultural slurries

Capacity

- > up to 990 gal/min

Pressure

- > up to 350 psi

Temperature

- > 14°F up to 212°F

Features & Benefits

Compact Unit

As the drive forms an integral part of the unit, the pump is ideal for space-saving installations.

Materials of Construction

Available in cast iron or stainless steel, with a choice of rotor and stator materials to suit individual applications e.g. hard chrome plated rotor or natural rubber stator.

High Pressure/Long Haul Pumping

Can offer considerable project cost savings by utilizing small borehole pipework and eliminating the need for series of pumps when pumping over long distances or with high head requirements.

Low Running Speeds

Reduced wear for a longer working pump life which extends the periods between routine maintenance. Think of the savings that could be realized on abrasive applications.

Up to 28 Feet Suction Lift

Deep sumps can be easily pumped without the use of submersible equipment.

Duracoat Coating

Rotors can be supplied with specialized coatings to help extend the life of the rotors through improved wear and corrosion resistance.

Viscous Products and Heavy Solids

Minimizes shear and crush damage to the pumped product, while maintaining a steady flow when pumping products with a high solids content.

Gentle Pumping Action

Minimizes shear and crush damage to the pumped product.

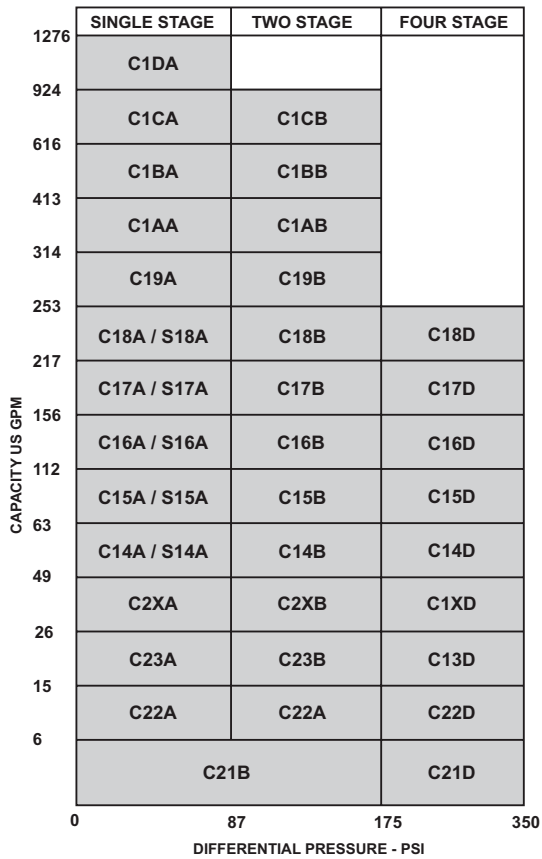
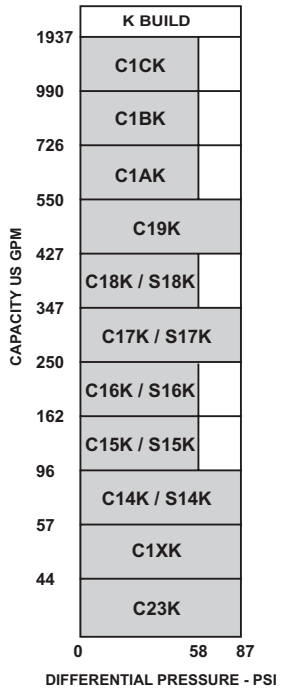
Inspection Cover

Available for applications where rag content is a problem.

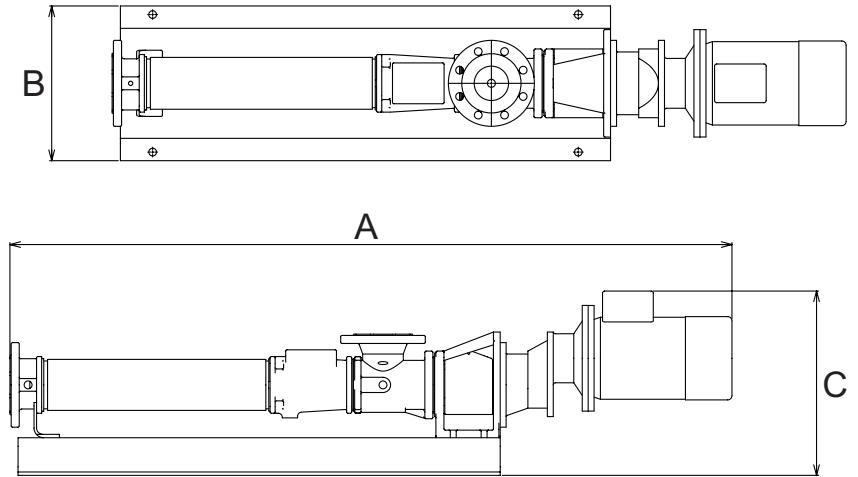
Robust Drives

Specially selected drives and gearboxes for longer life. Options include electric motor drive units supplied as overhead v-belt driven, direct-coupled, or variable speed drives with mechanical variable speed or frequency inverter.

Performance



Dimensions



| MODEL | A | B | C | MODEL | A | B | C |
|-------|-----|----|----|-------|-----|----|----|
| C1XK | 51 | 12 | 12 | C1AA | 99 | 17 | 26 |
| C14K | 66 | 12 | 19 | C1AB | 126 | 21 | 29 |
| C15K | 70 | 14 | 19 | C1BA | 112 | 21 | 29 |
| C16K | 77 | 14 | 19 | C1BB | 171 | 30 | 35 |
| C17K | 97 | 14 | 24 | C1CA | 159 | 30 | 35 |
| C18K | 104 | 17 | 24 | C1CB | 193 | 31 | 37 |
| C19K | 114 | 17 | 26 | C1DA | 171 | 30 | 35 |
| C1AK | 120 | 17 | 26 | C21B | 39 | 12 | 12 |
| C1BK | 137 | 21 | 21 | C21D | 45 | 12 | 12 |
| C1CK | 193 | 31 | 37 | C22A | 39 | 12 | 12 |
| C13D | 72 | 14 | 19 | C22B | 45 | 12 | 12 |
| C2XA | 44 | 12 | 12 | C22D | 61 | 12 | 12 |
| C2XB | 52 | 12 | 12 | C23A | 43 | 12 | 12 |
| C1XD | 80 | 17 | 19 | C23B | 49 | 12 | 12 |
| C14A | 57 | 12 | 19 | C23K | 49 | 12 | 12 |
| C14B | 66 | 12 | 19 | | | | |
| C14D | 84 | 14 | 19 | | | | |
| C15A | 60 | 12 | 19 | | | | |
| C15B | 72 | 14 | 19 | | | | |
| C15D | 109 | 17 | 24 | | | | |
| C16A | 64 | 14 | 19 | | | | |
| C16B | 92 | 17 | 24 | | | | |
| C16D | 127 | 21 | 19 | | | | |
| C17A | 81 | 14 | 23 | | | | |
| C17B | 97 | 14 | 24 | | | | |
| C17D | 145 | 21 | 29 | | | | |
| C18A | 87 | 14 | 23 | | | | |
| C18B | 110 | 17 | 26 | | | | |
| C18D | 151 | 21 | 21 | | | | |
| C19A | 96 | 17 | 26 | | | | |
| C19B | 114 | 17 | 26 | | | | |

| SQUARE INLET UNITS | | | |
|--------------------|-----|----|----|
| MODEL | A | B | C |
| S14A | 57 | 12 | 19 |
| S14K | 66 | 12 | 19 |
| S15A | 60 | 12 | 19 |
| S15K | 70 | 14 | 19 |
| S16A | 65 | 14 | 19 |
| S16K | 77 | 14 | 19 |
| S17A | 81 | 14 | 23 |
| S17K | 97 | 14 | 24 |
| S18A | 87 | 14 | 23 |
| S18K | 104 | 17 | 24 |

All dimensions are in inches and for guidance only. Flanges to ANSI B16.1, B16.5 and NPT pipe thread.

For certified drawings or assistance in selecting a pump, visit www.moyno.com/C.



www.moyno.com

U.S.A. +1 937.327.3553
Outside U.S.A. 877.4UMOYNO

© 2013 by Moyno | Moyno is a brand of NOV Mono | NOV Mono is a division of National Oilwell Varco



Printed in U.S.A.
COMPACT R1